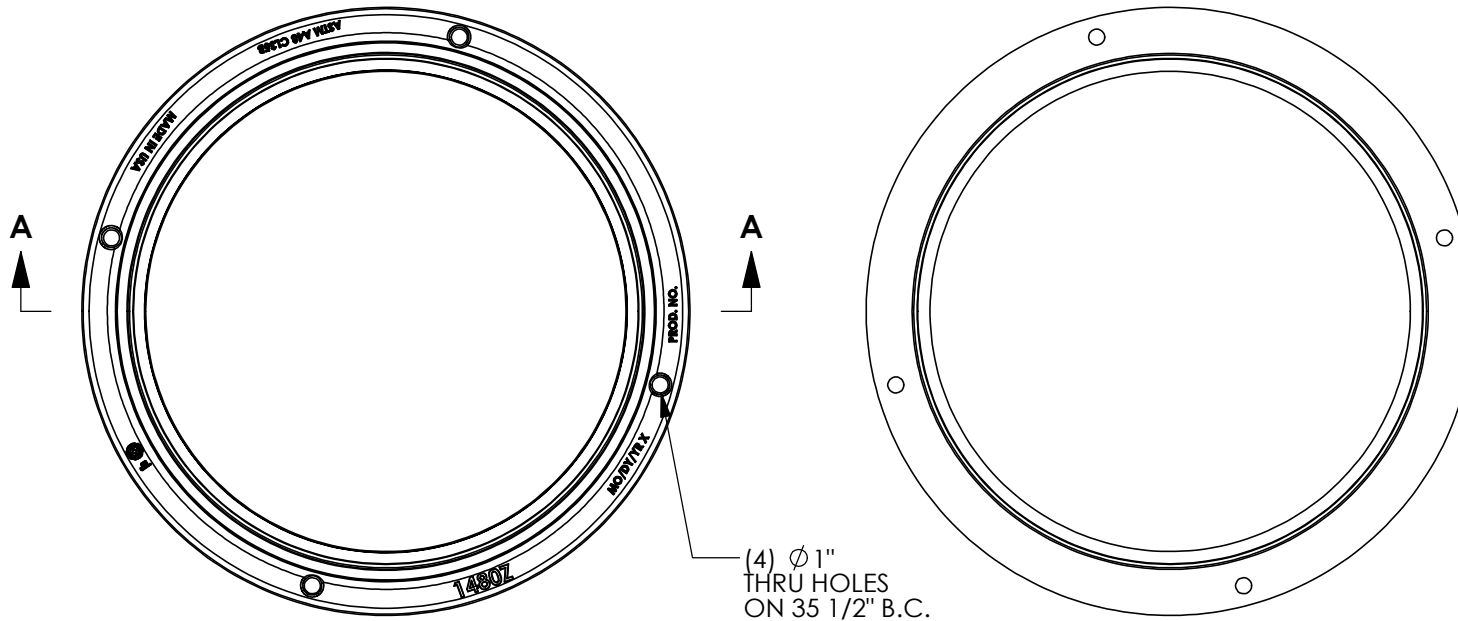
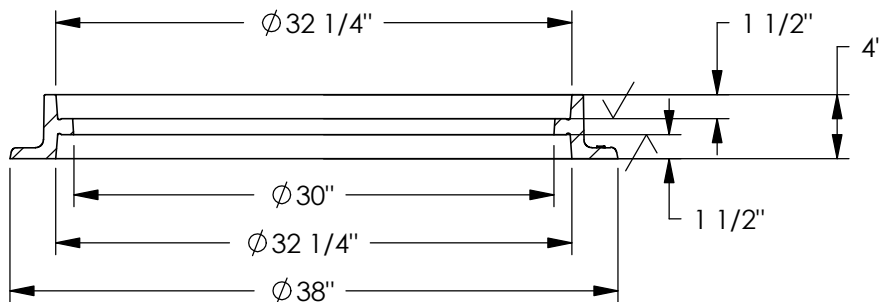


1480Z Frame



BOTTOM VIEW



SECTION A-A

NOTE: FRAME IS REVERSIBLE

Product Number

00148015

Design Features

- Materials
Gray Iron (CL35B)
- Design Load
Heavy Duty
- Open Area
n/a
- Coating
Undipped
- √ Designates Machined Surface

Estimated Weight

- 148 lb.

Certification

- ASTM A48
- H20 LOADING
- Country of Origin: USA

Supplied By:



877-903-7246

www.trenchdrainsupply.com

Drawing Revision

10/20/2006 Designer: KKP
4/3/2019 Revised By: MAH

Disclaimer

Weights (lbs/kg), dimensions (inches/mm) and drawings provided for your guidance. We reserve the right to modify specifications without prior notice.

CONFIDENTIAL: This drawing is the property of EJ Group, Inc. and embodies confidential information, registered marks, patents, trade secret information, and/or know how that is the property of EJ Group, Inc. Copyright © 2012 EJ Group, Inc. All rights reserved.

Contact

877.903.7246

www.trenchdrainsupply.com